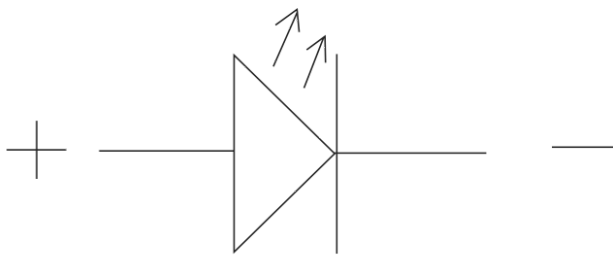
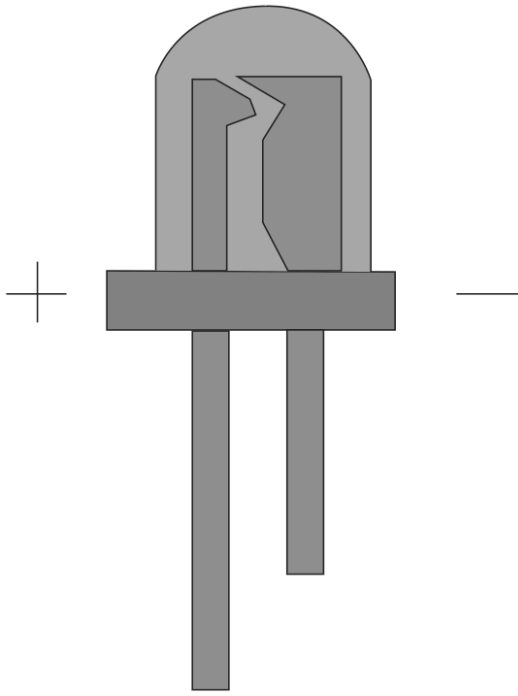
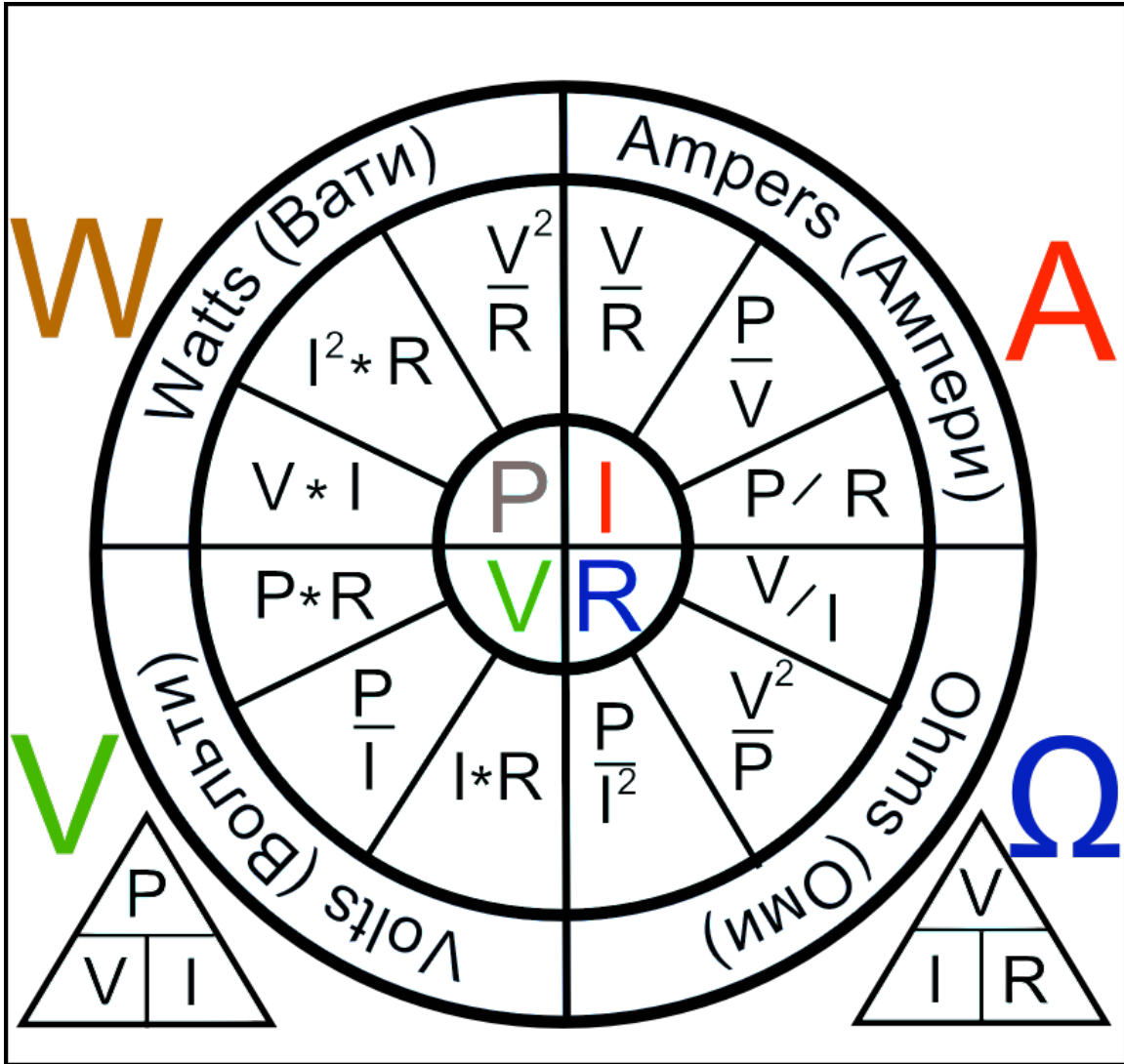
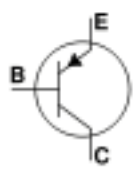


ANODE

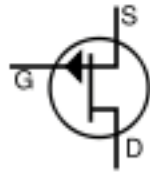
CATHODE



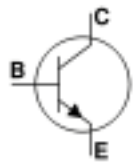




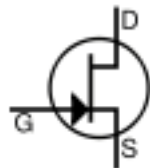
PNP



P-channel



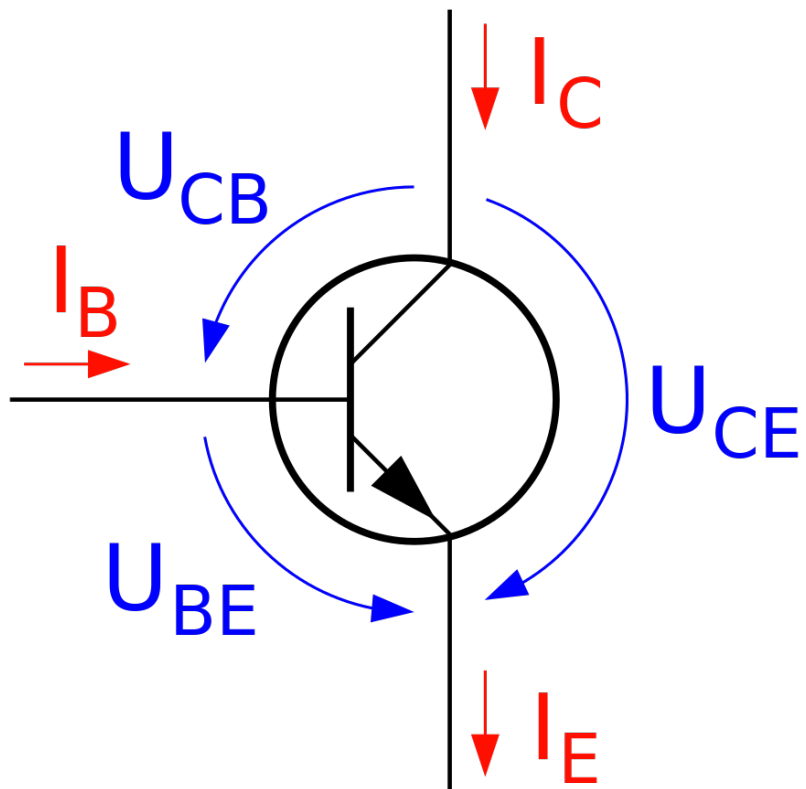
NPN

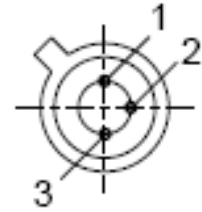
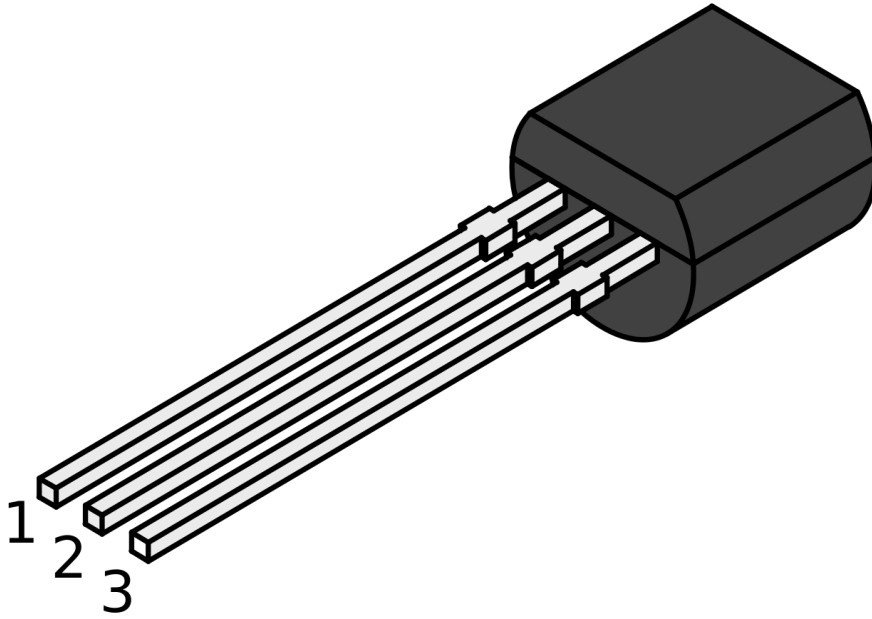


N-channel

BJT

JFET

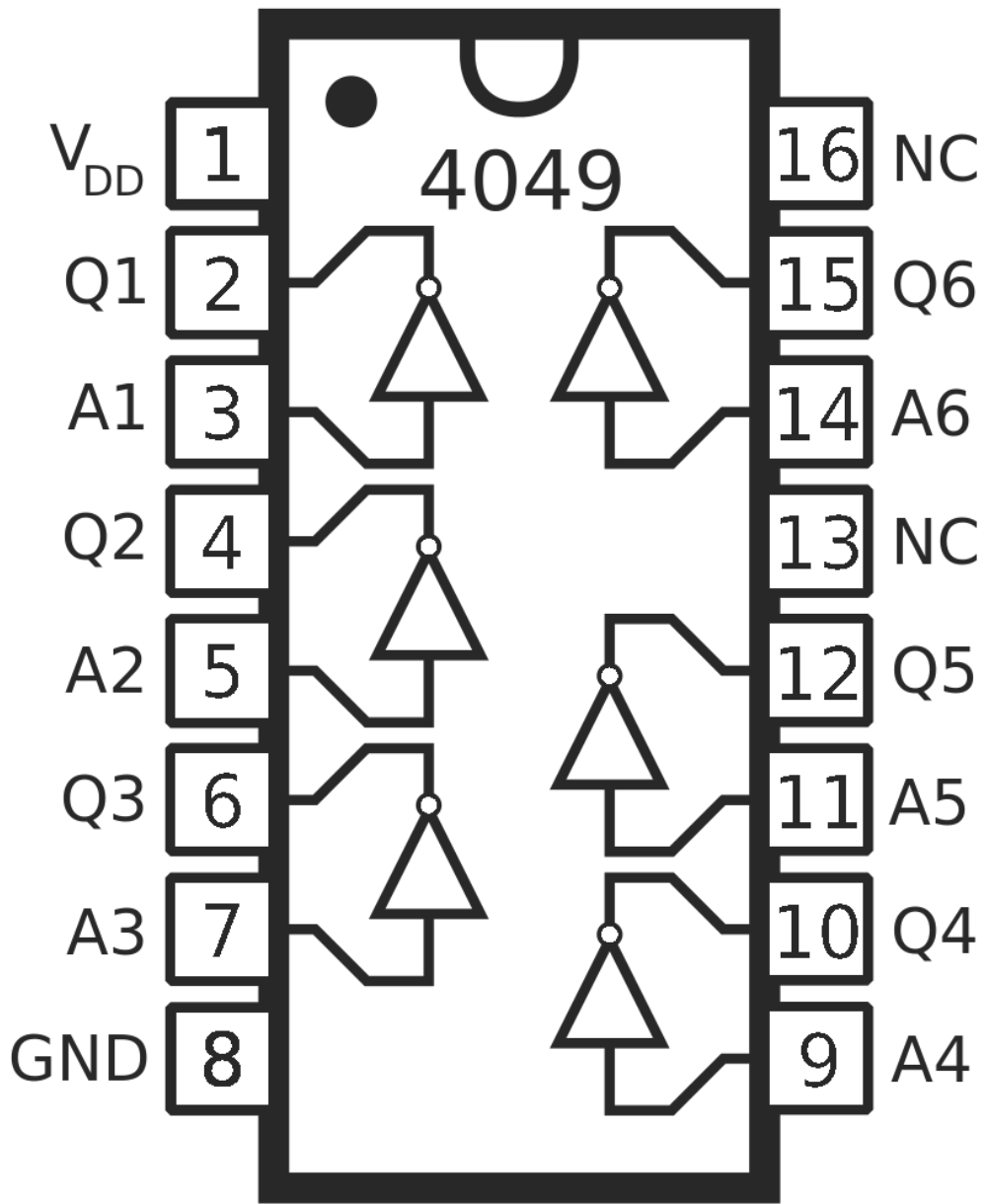


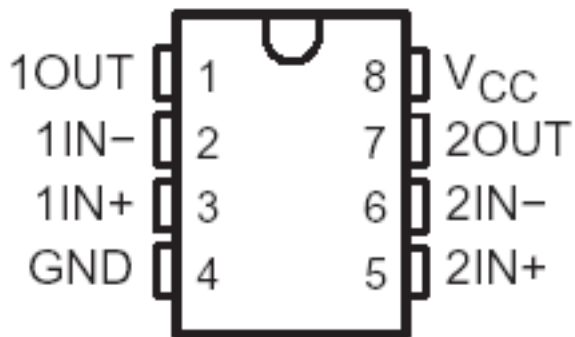
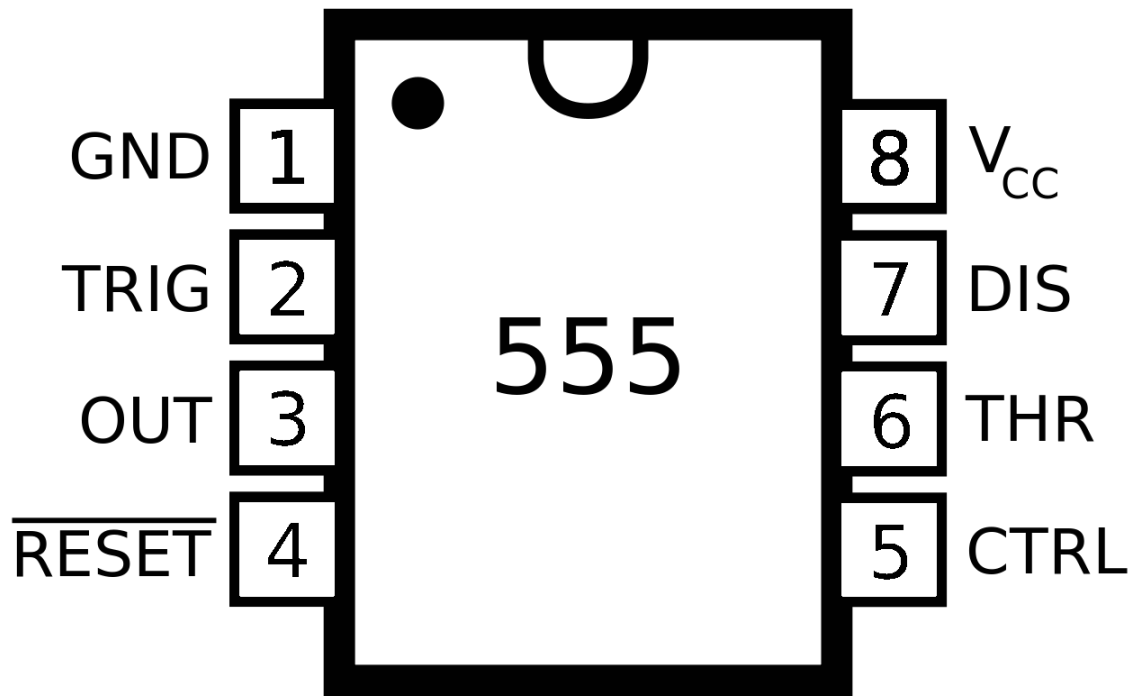


NPN		PNP	
E-B-C	C-B-E	E-B-C	E-C-B
BC107	BC546*	BC560C	BC167*
BC108	BC547*	2N2907*	BC168*
MPS8099	BC548*	2N3906	BC169*
MPS8598	BC549*	2N5086	BD140
MPSA05	BC550*	2N5087	
<i>MPSA13</i>		MPS8599	
<i>MPSA14</i>			
MPSA18			
2N2222*			
2N3904			
2N5088			
2N5089			
<i>2N5306</i>			
PN2222A			

Darlington

JFET			MOSFET		
D-S-G	S-G-D	G-S-D	D-G-S	S-G-D	G-D-S
J201	2SK170	2N5245	BS170	2N7000	IRF740
MPF102	2SJ74	2N5952			
2N5457					
2N5458					
2N5459					
2N5484					
2N5485					
2N5486					





0	Black	1
1	Brown	10
2	Red	100
3	Orange	1K
4	Yellow	10K
5	Green	100K
6	Blue	1M
7	Purple	10M
8	Grey	
9	White	

